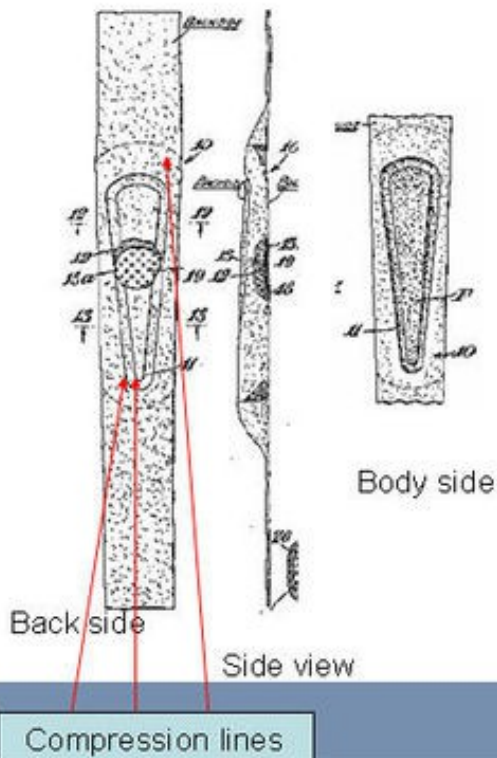


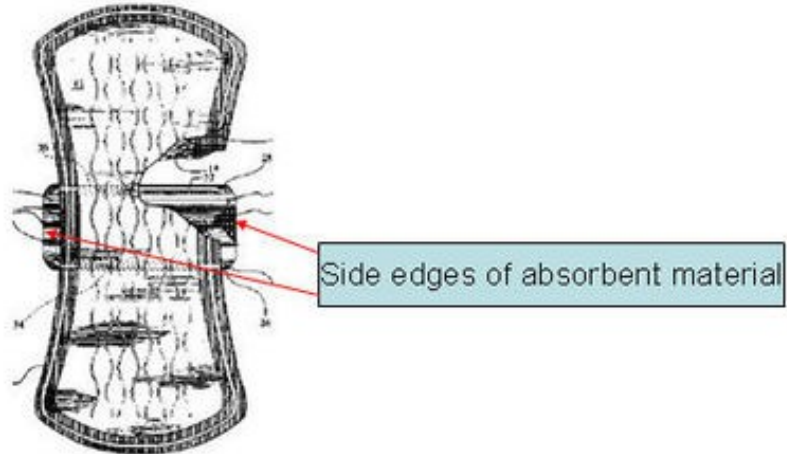
Absorbent pad



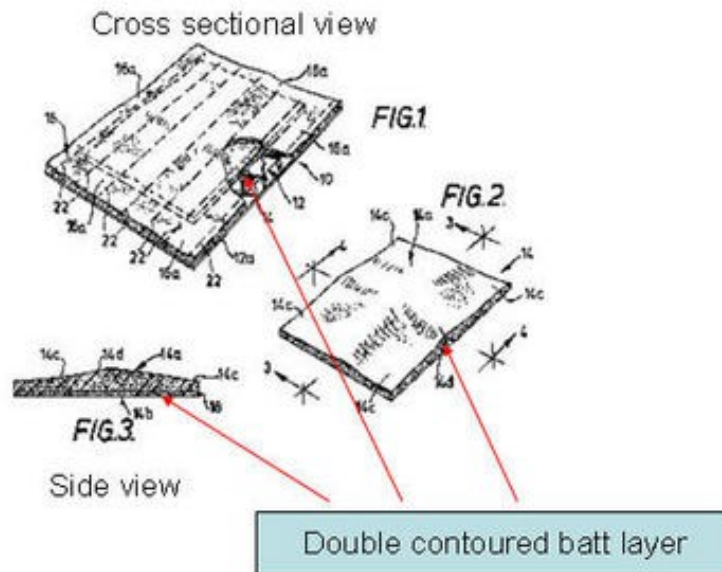
GB667478A - Johnson & Johnson



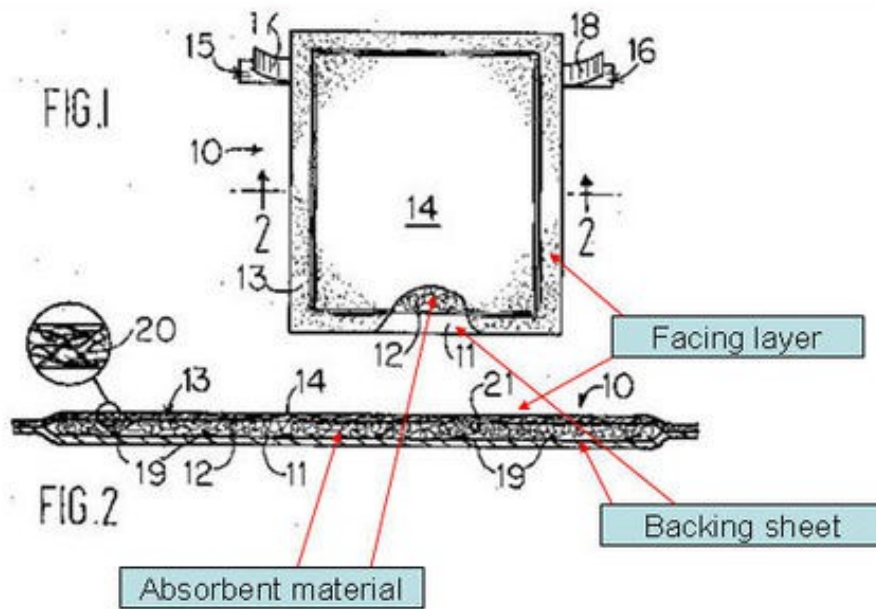
Absorbent pad is divided by a closed compression line adapted to resist spread of liquid.



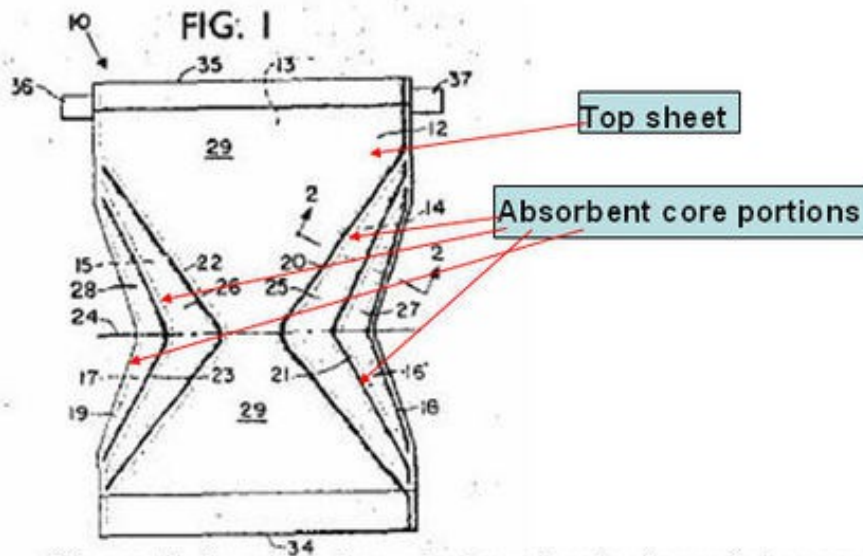
Structure having longitudinally extending side edges and transversely extending end portions (of absorbent material)
 - Enhances protection against leakage at the side edges



Double contoured batt layer of highly porous sandwiched between a porous facing layer and a water-impervious sheet. - High wettability and high fluid retentively

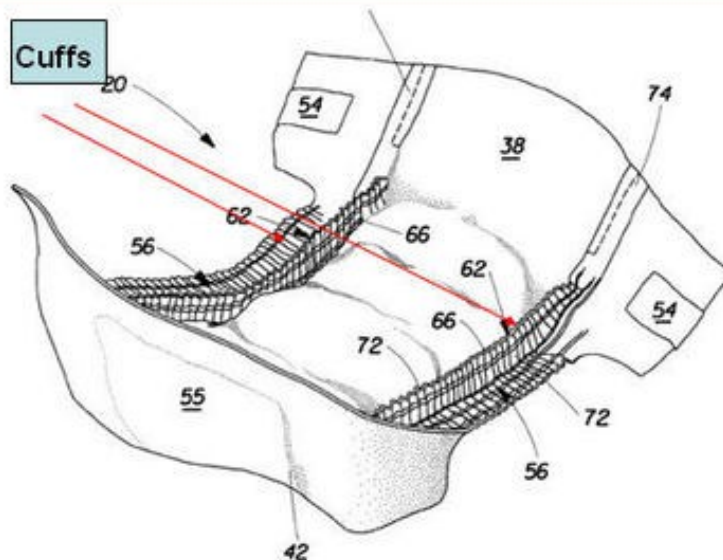


Fluid-impermeable backing sheet on which a layer of absorbent material is placed and a soft, body fluid-permeable facing sheet overlying said absorbent material - Soft feel, High absorption

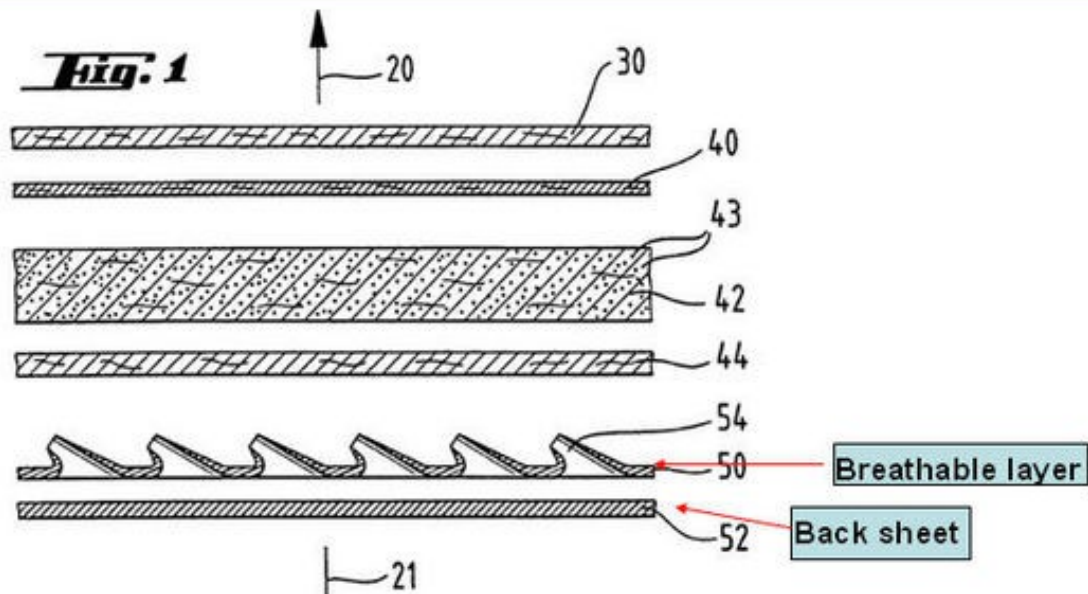


Diaper of **elongate shape** having absorbent core interposed between a moisture-permeable top sheet and a water impervious backing sheet.

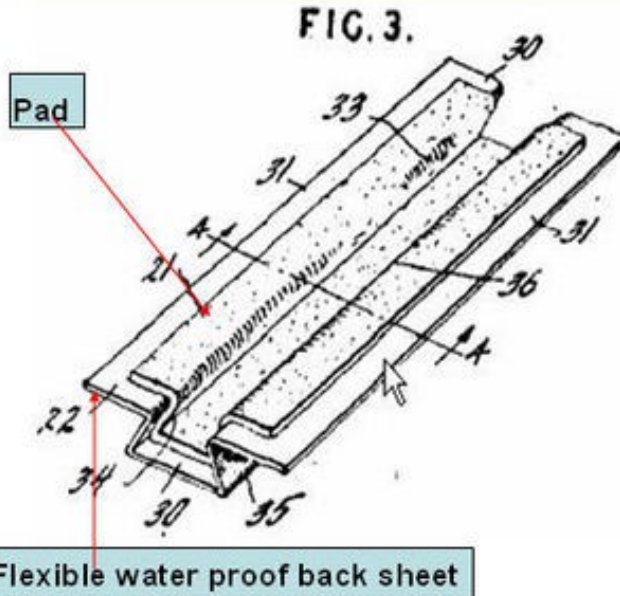
Improves the ability of the diaper to contain fluids and easily applied.



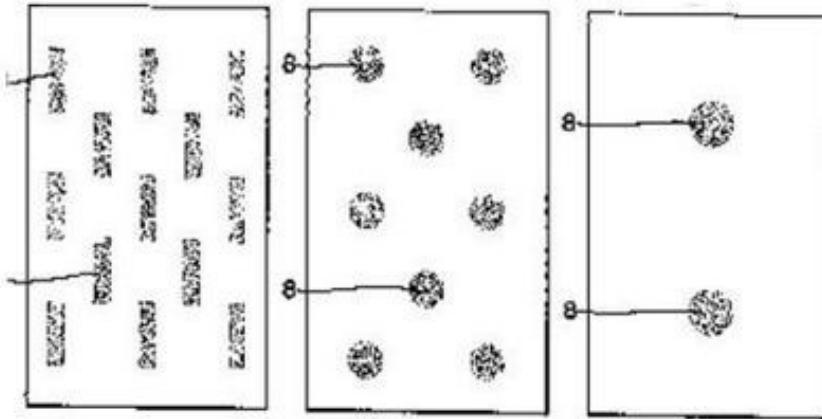
The skin care composition disposed on the cuffs is transferable to the wearer's skin by normal contact to body. It prevents rash, erythema, heat rash, abrasion, pressure marks, and skin barrier loss.



Aperture back sheet having breathable layer of a resilient for breathability (leakage safe vapor permeable allowing gaseous exchange with the environment - reduces the sticky feeling)



Diaper of **rectangular form** having flexible back sheet of waterproof material and a pad of absorbent material.
 Rectangular diaper having more absorptive area.



Alternative patterns for indicating agent (blue phthalocyanine dye and talcum powder) on absorbent pad - Indicates when to dispose diaper.

