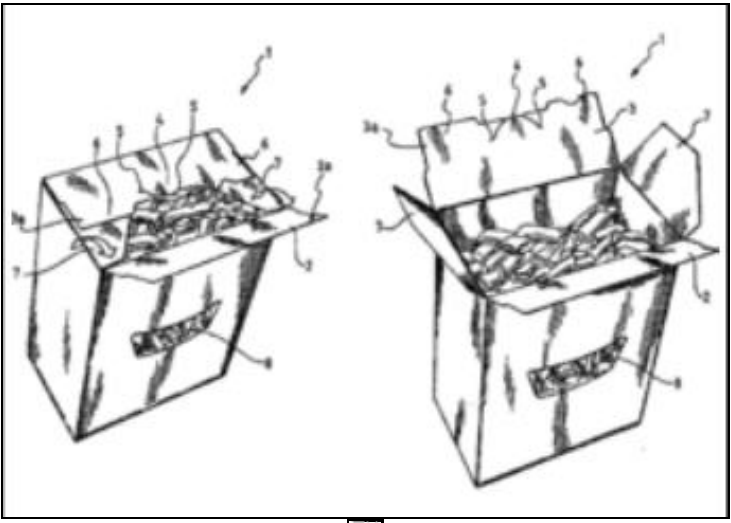
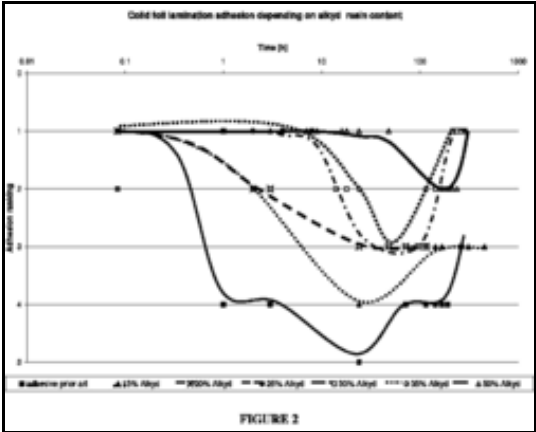


## Revised Sample patents

S.No.	Patent/Publication No.	Publication Year	Assignee / Applicant	Title	Image
1	<a href="#">US8459537B2</a>	2013	Barilla g. E r. Fratelli s.p.a.   moglia, roberto   amigoni, michele   innocente, mario	Easy reclosing system for a container for dry foodstuffs and related container	
2	<a href="#">WO2012154909A3</a>	2013	Sun chemical corporation   johnke, christian   frischkorn, jurgen	Cold foil adhesives used in food & non food packaging applications	 <p style="text-align: center;">FIGURE 2</p>
3	<a href="#">WO2013008938A1</a>	2013	The osaka printing ink mfg. Co., ltd.   yoshimoto printing inc.   mutumikagaku co., ltd.   tujiuchi, shuji   yoshimoto, takashi   wada, naruhiro	Food packaging paper	NA
4	<a href="#">WO2013002639A1</a>	2013	Van steen-dekker beheer bv   balke management bv   balke, marcellinus sijbrandus lucas   heimans, nicolaas marinus	Food packaging	

--	--	--	--	--

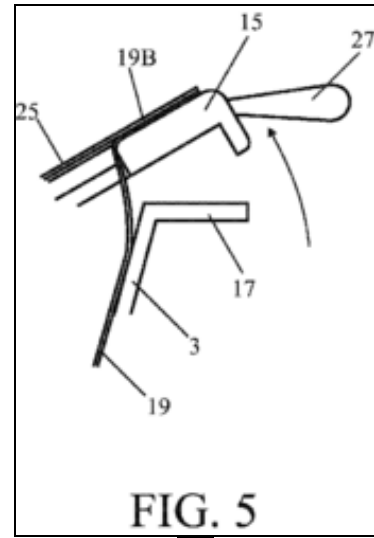


FIG. 5

5	<a href="#">US8240505B1</a>	2012	None	Easy-open sealing type food container
---	-----------------------------	------	------	---------------------------------------

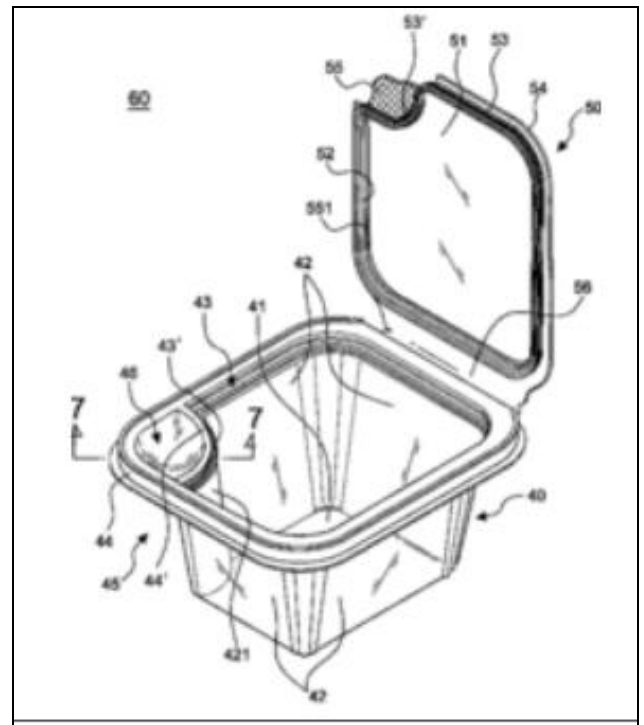


FIG. 6

6	<a href="#">WO2012156082A1</a>	2012	Amcor flexibles kreuzlingen ltd   jud, wilfried	Foil packaging
---	--------------------------------	------	---	----------------

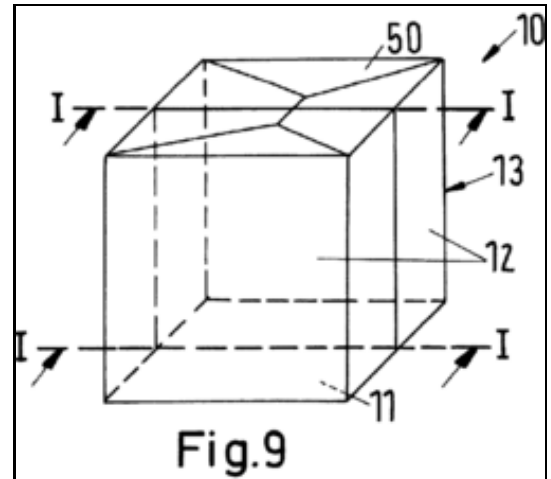
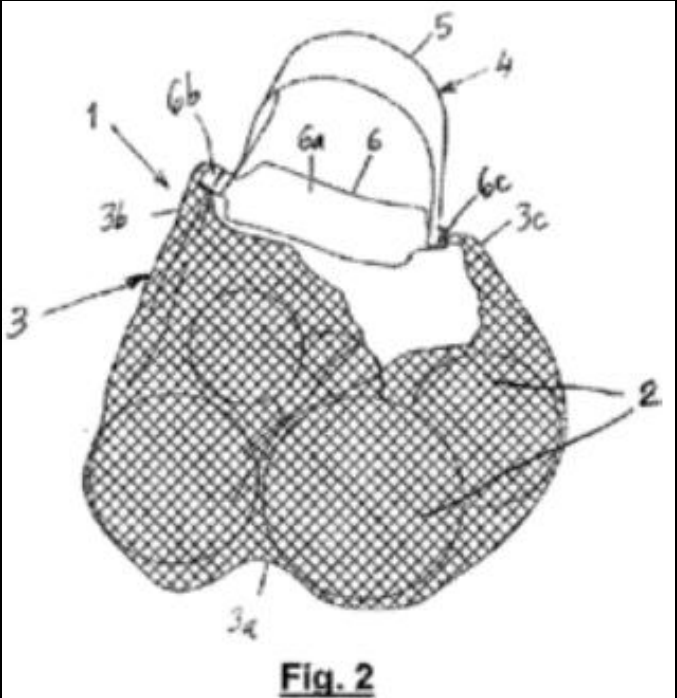
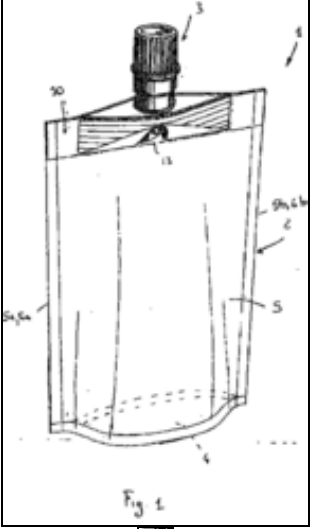
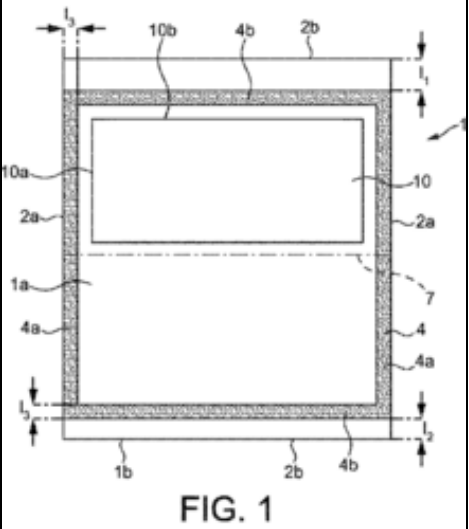
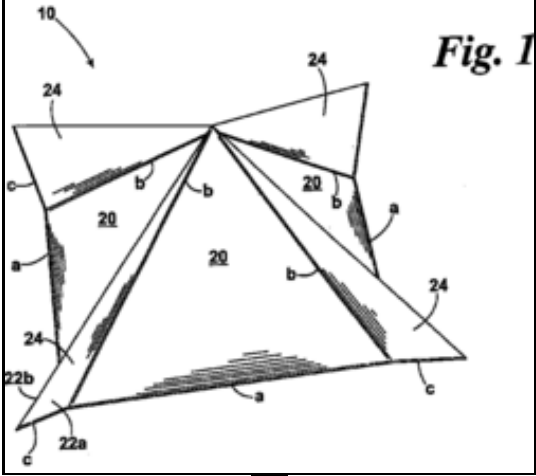
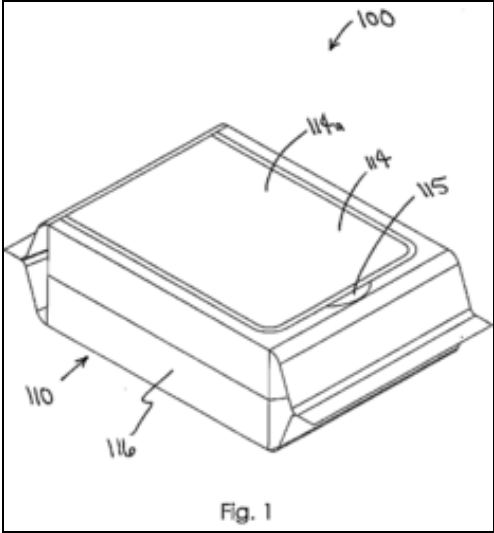
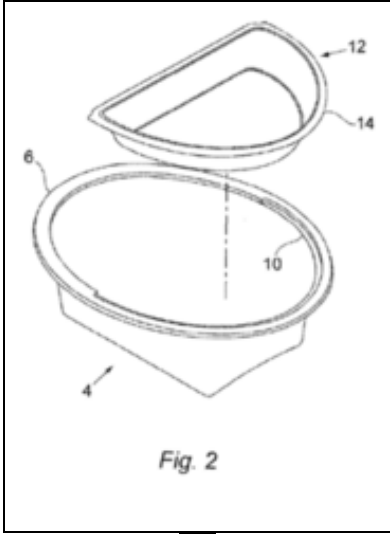
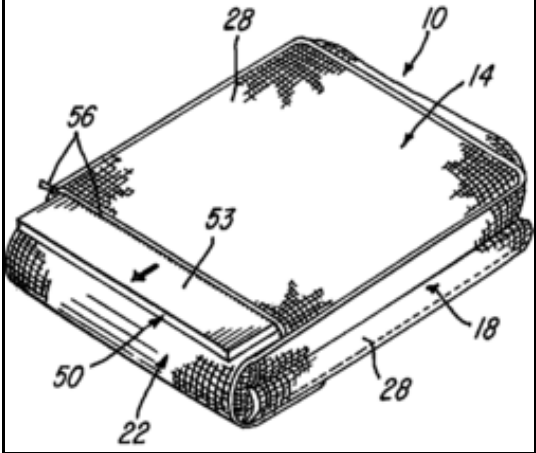
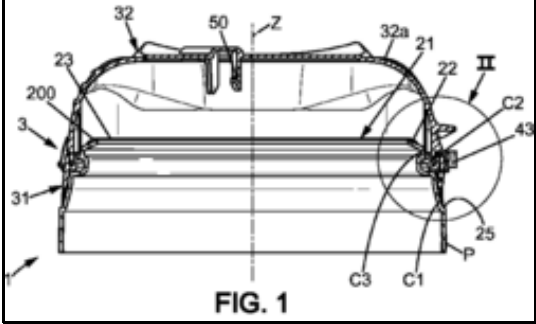


Fig. 9

FIG. 9

7	<a href="#">EP2128036B1</a>	2011	Girnet internacional, s.l.	Bag for packaging food products	 <p><b>Fig. 2</b></p>
8	<a href="#">EP2143658B1</a>	2011	Grc pack luxembourg s.a.	Package for food products, and a method for packaging a food product	 <p><b>Fig. 1</b></p>
9	<a href="#">EP2323917A1</a>	2011	Nestec s.a.	Easy opening packaging for food products	 <p><b>FIG. 1</b></p>

10	<a href="#">EP2307285A1</a>	2011	Cadbury holdings limited	Package for foldably packaging a food product	 <p style="text-align: right;"><i>Fig. 1</i></p>
11	<a href="#">WO2011139268A1</a>	2011	Liberatore, nekae	Animal food and packaging therefor	 <p style="text-align: center;"><i>Fig. 1</i></p>
12	<a href="#">GB2476365A</a>	2011	Avondale foods, limited	Food packaging for two different food products to be stored separately	 <p style="text-align: center;"><i>Fig. 2</i></p>

13	<a href="#">US7791003B2</a>	2010	Covertex corporation	Collapsible insulated food delivery bag	
14	<a href="#">WO2010040965A1</a>	2010	Compagnie gervais danone   vandamme, patrick	Food packaging with a closing lid	 <p style="text-align: center;"><b>FIG. 1</b></p>