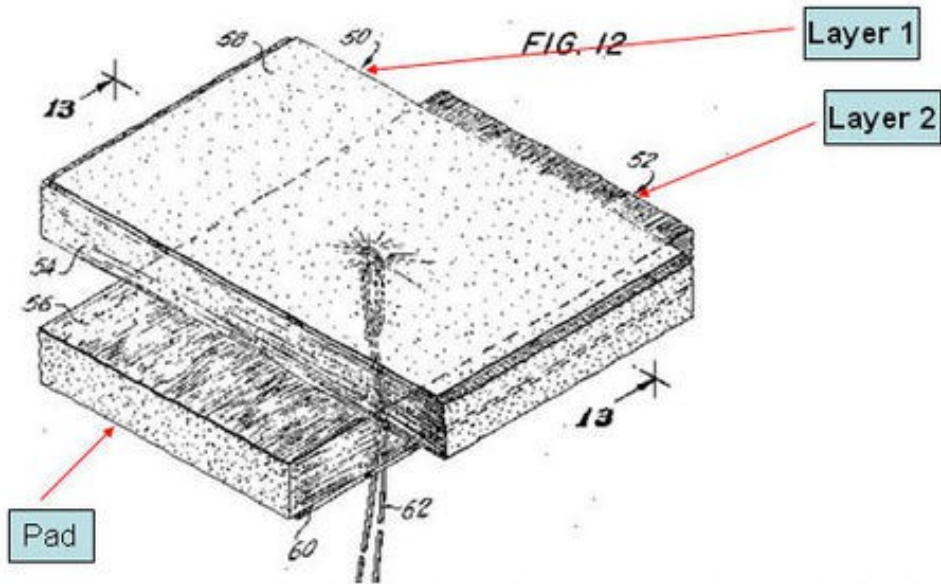


Tampon



Absorbent composite (having two layers) superimposed on absorbent pad.
Provides high degree of absorbency.